



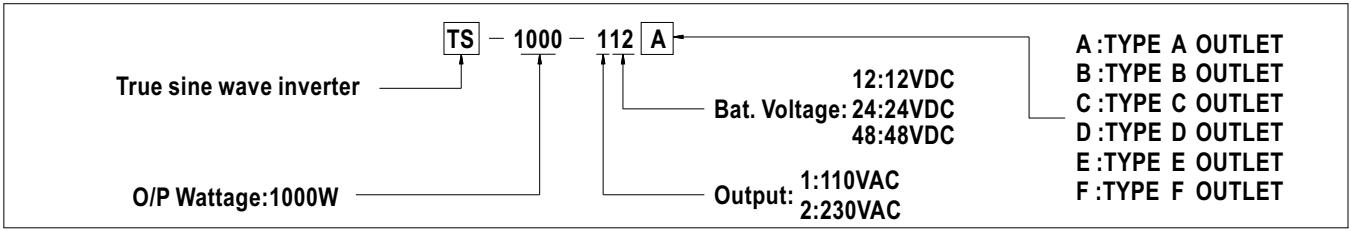
■ Features :

- True sine wave output (THD<3%)
- High surge power up to 2000W
- High efficiency up to 92%
- Power ON-OFF switch
- Standby saving mode can be selected
- Front panel indicator for operation status
- Built-in fan ON-OFF control function
- Protections: Bat. low alarm / Bat. low shutdown / Over voltage / Over temp. / Output short / Input reverse polarity / Overload
- Application : Home appliance, power tools, office and portable equipment, vehicle and yacht ...etc.
- 3 years warranty



**SPECIFICATION**

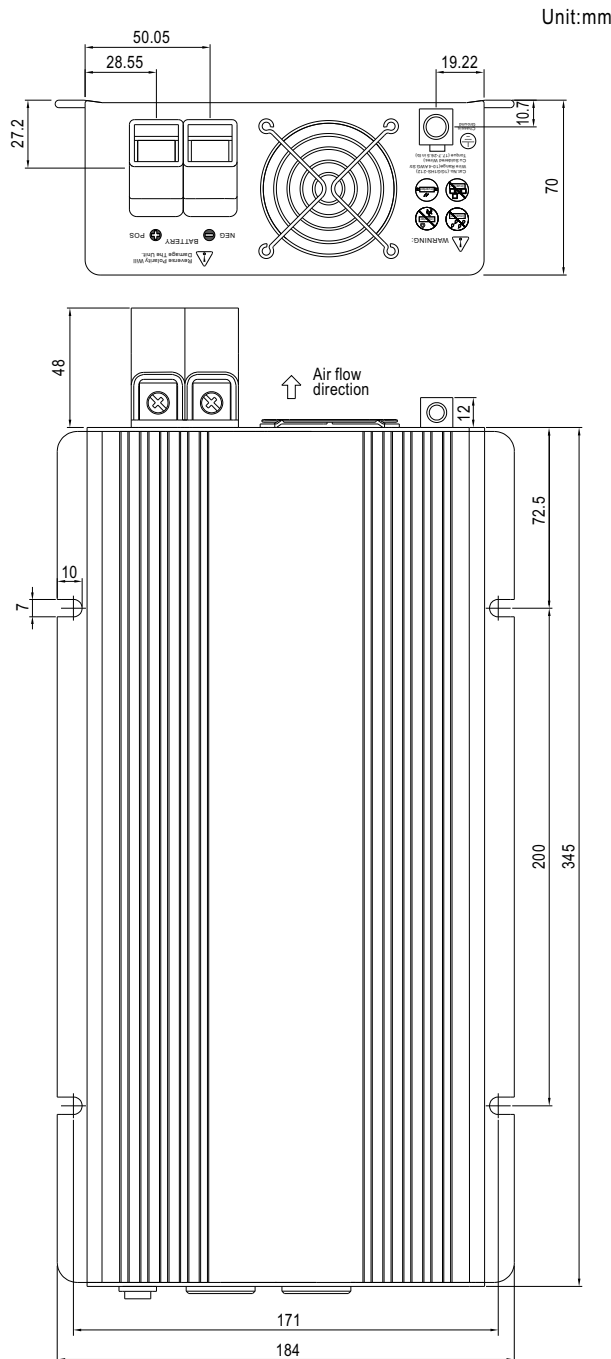
MODEL	TS-1000-112	TS-1000-124	TS-1000-148	TS-1000-212	TS-1000-224	TS-1000-248	
OUTPUT	<b>RATED POWER (Typ.)</b> 1000W						
	<b>MAXIMUM OUTPUT POWER (Typ.)</b> 1150W for 180 sec. / 1500W for 10 sec. / surge power 2000W for 30 cycles						
	<b>AC VOLTAGE</b> Factory setting set at 110VAC			Factory setting set at 230VAC			
	100 / 110 / 115 / 120VAC selectable by setting button S.W			200 / 220 / 230 / 240VAC selectable by setting button S.W			
	<b>FREQUENCY</b> 60±0.1Hz 50/60Hz selectable by setting button S.W			50±0.1%Hz 50/60Hz selectable by setting button S.W			
	<b>WAVEFORM</b> True sine wave (THD<3%) at rated input voltage						
	<b>AC REGULATION (Typ.)</b> ±3.0%						
	<b>SAVING MODE (Typ.)</b> Load ≤ 5W will be changed to standby mode						
<b>FRONT PANEL INDICATOR</b> Battery voltage level, output load level, saving mode, fault and operation status							
INPUT	<b>BAT. VOLTAGE</b>	12V	24V	48V	12V	24V	48V
	<b>VOLTAGE RANGE (Typ.)</b> Note.3	10.5 ~ 15VDC	21 ~ 30VDC	42 ~ 60VDC	10.5 ~ 15VDC	21 ~ 30VDC	42 ~ 60VDC
	<b>DC CURRENT (Typ.)</b>	100A	50A	25A	100A	50A	25A
	<b>NO LOAD DISSIPATION</b>	≤6W @ standby saving mode					
	<b>OFF MODE CURRENT DRAW</b>	≤1mA					
	<b>EFFICIENCY (Typ.)</b> Note.1	88%	89%	90%	90%	91%	92%
	<b>BATTERY TYPES</b>	Open & sealed lead acid					
BATTERY INPUT PROTECTION	<b>FUSE</b>	40A*4	40A*2	20A*2	40A*4	40A*2	20A*2
	<b>BAT. LOW ALARM</b>	11.3±4%	22.5±4%	45±4%	11.3±4%	22.5±4%	45±4%
	<b>BAT. LOW SHUTDOWN</b>	10.5±4%	21±4%	42±4%	10.5±4%	21±4%	42±4%
	<b>REVERSE POLARITY</b>	By internal fuse open					
OUTPUT PROTECTION	<b>OVER TEMPERATURE</b>	90°C ± 5°C			70°C ± 5°C		
	Protection type : Shut down o/p voltage, re-power on to recover; by internal RTH3 detect on heatsink of power diode						
	<b>OUTPUT SHORT</b>	Protection type : Shut down o/p voltage, re-power on to recover					
	<b>OVER LOAD (Typ.)</b>	105 ~ 115% load for 180 sec., 115% ~ 150% load for 10 sec.			Protection type : Shut down o/p voltage, re-power on to recover		
<b>GFCI PROTECTION</b>	Optional (Only type F)			None			
ENVIRONMENT	<b>WORKING TEMP.</b> Note.4	0 ~ +40°C @ 100% load ; +60°C @ 50% load					
	<b>WORKING HUMIDITY</b>	20% ~ 90% RH non-condensing					
	<b>STORAGE TEMP., HUMIDITY</b>	-30 ~ +70°C / -22 ~ +158°F, 10 ~ 95% RH					
	<b>VIBRATION</b>	10 ~ 500Hz, 3G 10min./1cycle, 60min. each along X, Y, Z axes					
SAFETY & EMC	<b>SAFETY STANDARDS</b>	UL458 (only for "GFCI" receptacle-Type F)			None		
	<b>LVD</b>	None			EN60950-1		
	<b>WITHSTAND VOLTAGE</b>	Bat I/P - AC O/P:3.0KVAC AC O/P - FG:1.5KVAC					
	<b>ISOLATION RESISTANCE</b>	AC O/P-FG, Bat I/P-FG:100M Ohms/500VDC / 25°C / 70% RH					
	<b>EMI CONDUCTION&amp;RADIATION</b>	Compliance to FCC class A			Compliance to EN55022 class A, 72/ 245/ CEE, 95/ 54/ CE, E-Mark		
	<b>EMS IMMUNITY</b>	None			Compliance to EN61000-4-2,3,8 ENV50204		
OTHERS	<b>DIMENSION</b>	345*184*70mm (L*W*H)					
	<b>PACKING</b>	4.3Kg; 2pcs/9.6Kg/1.16CUFT					
	<b>COOLING</b>	Loading controlled cooling fan for GFCI receptacle-type F ; Thermostatically controlled cooling fan for others.					
NOTE	1. Efficiency is tested by 750W, linear load at 13V, 26V, 52V input voltage. 2. All parameters not specified above are measured at rated load, 25°C of ambient temperature. 3. Output derating capacity referenced by curve 1. 4. Output derating capacity referenced by curve 2.						



### AC Output Receptacles (optional)

Receptacle type						
	TYPE-A	TYPE-B	TYPE-C	TYPE-D	TYPE-E	TYPE-F
Country	USA	EUROPE	AUSTRALIA	U.K	JAPAN	GFCI
Certificate						

### Mechanical Specification



### Derating Curve

